

Panasonic®

Stereo Radio Cassette Player RQ-V164 Operating Instructions



Before connecting, operating or adjusting this product, please read these instructions completely.



**Matsushita Consumer Electronics Company,
Division of Matsushita Electric Corporation of
America**

One Panasonic Way Secaucus, New Jersey 07094

**Panasonic Sales Company, Division of
Matsushita Electric of Puerto Rico, Inc. ("PSC")**

Ave. 65 de Infantería, Km. 9.5 San Gabriel Industrial Park,
Carolina, Puerto Rico 00985

Matsushita Electric of Canada Limited

5770 Ambler Drive, Mississauga, Ontario L4W 2T3

Printed in Taiwan

RQTT0169-P

F1095F0

Technical Specifications

Radio frequency range:

FM; 88–108 MHz
AM; 525–1705 kHz

Power requirement:

Battery; 3 V [2 AA size, (R6/LR6)
batteries]

Frequency range: 40–16000 Hz (Normal)

Tape speed: 4.8 cm/s (1 7/8 ips)

Jack:

Output; HEADPHONES

Dimensions

(W×H×D): 85.4×120.1×36.6 mm
(3 3/8"×4 3/4"×1 7/16")

Weight: 166 g (5.8 oz.) without
batteries

Note:

Specifications are subject to change without
notice.

Weight and dimensions are approximate.

Supplied Accessories

Stereo headphones
(RP-HT103PAYY)



Belt clip
(RKE210TZA-1)



(Only for U.S.A.)

To order accessories call MSC Accessory Dept.
1-800-332-5368.

THE FOLLOWING PHRASES ARE APPLIED
ONLY FOR U.S.A.:

CAUTION:

Any unauthorized changes or modifications to
this equipment would void the user's authority
to operate this device.

Cautions

- Avoid using or placing this unit near sources of heat. Do not leave it in an automobile exposed to direct sunlight for a long period of time with the doors and windows closed, as this may deform the cabinet.
- If the set is not used for a long period of time, remove all the batteries to prevent potential damage due to possible battery leakage.

Listening caution



Do not play your headphones or earphones at a high volume. Hearing experts advise against continuous extended play.

If you experience a ringing in your ears, reduce volume or discontinue use.

Do not use while operating a motorized vehicle. It may create a traffic hazard and is illegal in many areas.

You should use extreme caution or temporarily discontinue use in potentially hazardous situations.

Even if your headphones or earphones is an open-air type designed to let you hear outside sounds, don't turn up the volume so high that you can't hear what's around you.

Sound can be deceiving. Over time your hearing "comfort level" adapts to higher volumes of sound. So what sounds "normal" can actually be loud and harmful to your hearing.

Guard against this by setting your equipment at a safe level BEFORE your hearing adapts.

To establish a safe level:

- Start your volume control at a low setting.
- Slowly increase the sound until you can hear it comfortably and clearly, and without distortion.

Once you have established a comfortable sound level:

- Set the dial and leave it there.

Cassette tapes

Improper tape storage

You can damage tape if you store it in the following ways:

- In high temperature or high humidity areas
- In a strong magnetic field (near a speaker, on top of a TV, etc.)
- In direct sunlight

Cassette tapes exceeding 90 minutes

These tapes are handy for their long playback and recording time but be careful about repeatedly stopping and starting, rewinding and fast forwarding these tapes in short intervals as they are thin, tend to stretch and may become entangled in the deck mechanism.

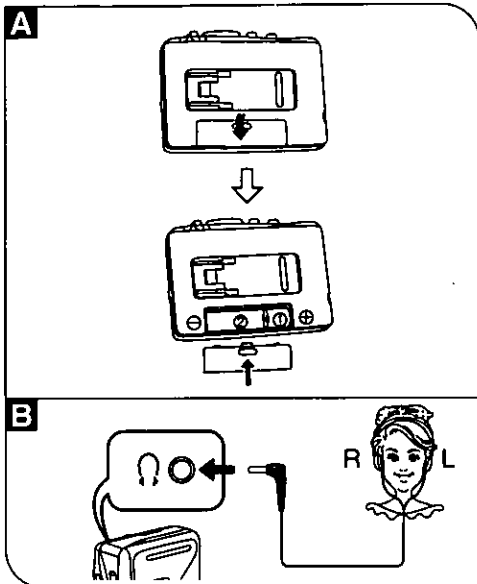
Product Service

Do not attempt to remove the cover(s) or repair the unit yourself. Refer servicing to qualified personnel only.

Product information

For product service, product information or assistance with product operation, refer to the servicenter directory.

Before Operation



Power source **A**

Insert 2 AA size (R6/LR6 or equivalent, not included) batteries.

Batteries installed with incorrect polarities may leak and damage this unit.

Replace with fresh batteries of the same kind, observing polarity.

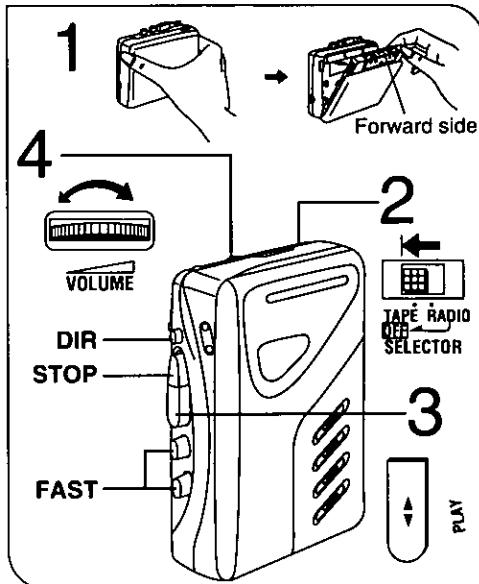
Battery life

When the batteries are weak, the tape speed will slow down, the sound will become distorted, and the volume will decrease.

Connecting the headphones **B**

Plug the included stereo headphones into the Ω jack.

Tape Playback



Follow steps 1-4.

- Play will be continued, looping forward and reverse side, until **STOP** is pressed. (Auto reverse)
- You can use normal type of tapes only.

■ To stop playback

Press **STOP**.

■ To fast forward and rewind

Press one of the **FAST** buttons (\ll or \gg).

The tape will rapidly move in the direction of the arrow.

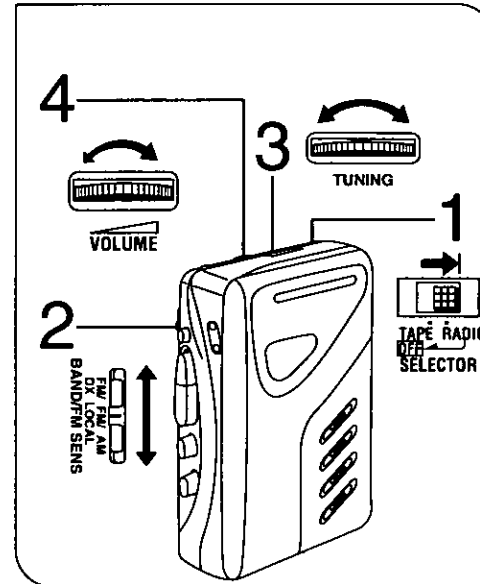
■ To change the tape direction

Press **DIR** to select the playback side, "FWD" (forward) or "REV" (reverse).

Notes:

- Do not open the cassette compartment cover during tape operation.
- If the **SELECTOR** is set to "RADIO" during tape operation, the button will not be released even though the motor has stopped. In this case, press **STOP** to release the button.
- Between functions (during play, fast forward or rewind), always press **STOP** first to avoid jamming the tape.
- When the tape reaches the end after fast forward or rewind, press **STOP** to release the **FAST** button.

Listening to the Radio



Follow steps 1-4.

■ To stop the radio

Set the **SELECTOR** to "TAPE **OFF**".

■ FM sensitivity selector

Normally set the **FM SENS** selector to "DX". When the FM reception is impaired, or there is interference from a powerful station, set the selector to "LOCAL".

- This selector does not function for AM reception.

■ Antennas

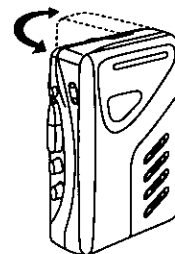
FM:

Since the headphones cord serves as the FM antenna, be sure to use it extended, not coiled.

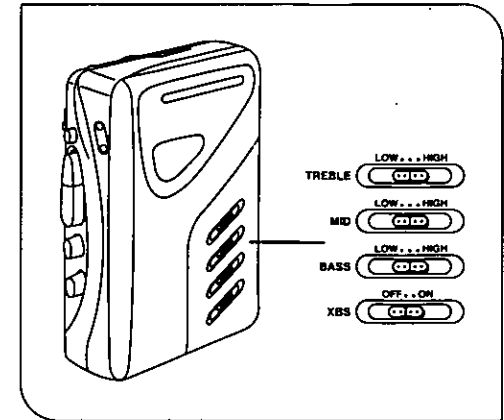
AM:

The built-in ferrite core AM antenna is directional. Turn the unit to obtain optimum reception.

- Be sure to have the set in a horizontal position.



Changing the Tone



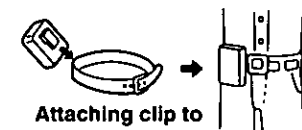
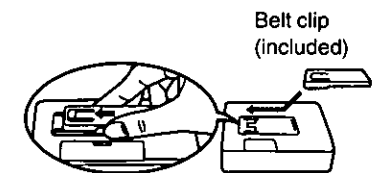
■ 3 BAND EQUALIZER (TREBLE/MID/BASS)

Positioning the control to the "HIGH" side will amplify the corresponding controls: the "LOW" side will attenuate it.

■ XBS (Extra Bass System) Control

Set this control to "ON" to boost the dynamic bass range. You can enjoy the dynamic bass sound.

Attaching the belt clip



Attaching clip to your belt

To remove



For
your
protection

Complete and immediately mail the Product Analysis Card so that we may contact you directly in the event a safety notification is issued in accordance with the 1972 Consumer Product Safety Act, or for other reasons Panasonic may deem necessary. Also, we ask that you complete the questionnaire so we may analyze your comments and, in this way, help us evaluate customer needs.

If you ship the product

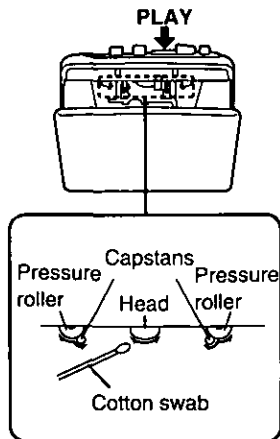
Carefully pack and send it prepaid, adequately insured and preferably in the original carton. Attach a postage-affixed letter, detailing the complaint, to the outside of the carton.

Do NOT send the product to the Executive or Regional Sales offices. They are NOT equipped to make repairs.

Customer's Record

Model No. _____ Dealer's Name _____
 Serial No. _____ or _____
 Code No. _____ Dealer's Address _____
 Date of Purchase _____

Maintenance



Head care

To ensure good sound quality for tape operation, be sure to clean the head after approximately every 10 hours of use with a cotton swab dampened with a little alcohol.

It is recommended that the head assembly be demagnetized if distortion or poor sound quality persists after cleaning the heads. Demagnetize them using a demagnetizer available from an audio store.

Main unit

Do not clean the plastic cabinet with benzine or thinner. Clean it with a cloth, dampened in a mild solution of soap and water. Avoid excessive moisture.

Avoid spray aerosol type cleaner. Some cleaners contain corrosive chemicals that may cause internal damage and cabinet deformation.

Troubleshooting Guide

Before requesting service for this unit, check the chart below for a possible cause of the problem you are experiencing. Some simple checks or a minor adjustment on your part may eliminate the problem and restore proper operation.

If you are in doubt about some of the check points, or if the remedies indicated in the chart do not solve the problem, refer to the directory of Authorized Service Centers (enclosed with this unit) to locate a convenient service center, or consult your dealer for instructions.

(In U.S.A. consult MSC Authorized Servicenters for detailed instructions or call 1-800-545-2672 for the address of an authorized factory servicenter.)

Problem	Checkpoint	Remedy
No operations.	Have the batteries been installed with their polarities (⊕, ⊖) reversed?	Install them with their polarities (⊕, ⊖) aligned properly.
No sounds.	Is the headphones plug connected to the headphones jack?	Plug the headphones plug into the jack.
No sounds during the tape playback.	Is the SELECTOR set to "RADIO"?	Set the SELECTOR to "TAPE [OFF]".

ONLY FOR U.S.A.

Panasonic
Limited Warranty

Matsushita Consumer Electronics Company or Panasonic Sales Company (collectively referred to as "The warrantor") will repair this product with new or refurbished parts, free of charge, in the U.S.A. or Puerto Rico from the date of original purchase in the event of a defect in materials or workmanship as follows:

Radio, Clock Radio, Radio with Tape Player or Recorder—For one (1) year.

Batteries—(when applicable)—New rechargeable batteries in exchange for defective rechargeable batteries for ten (10) days. Non-rechargeable batteries are not warranted.

For assistance in the continental U.S.A. in obtaining repairs contact:

Matsushita Services Company
 Panasonic PLUS Department
 20421 84th Avenue South
 Kent, WA 98032
 Phone: (206) 395-7343
 FAX: (800) 237-9080

If repair is needed, during the warranty period the purchaser will be required to furnish a sales receipt/proof of purchase indicating date of purchase, amount paid and place of purchase.

Also, the purchaser will be responsible for shipping the unit to the above address. This warranty is extended only to the original purchaser.

In Puerto Rico contact Panasonic Sales Company.

This warranty only covers failures due to defects in materials or workmanship which occur during normal use and does not cover damage which occurs in shipment or failures which are caused by products not supplied by the warrantor or failures which result from accident, misuse, abuse, neglect, mishandling, misapplication, faulty installation, set-up adjustment, improper maintenance, alteration, improper antenna, inadequate signal pick-up, maladjustment of consumer controls, modification, line power surge, or commercial use of the product, or service by anyone other than an MSC Factory Servicenter, or damage that is attributable to acts of God.

LIMITS AND EXCLUSIONS

There are no express warranties except as listed above. THE WARRANTOR SHALL NOT BE LIABLE FOR INCIDENTAL OR CONSEQUENTIAL DAMAGES RESULTING FROM THE USE OF THIS PRODUCT, OR ARISING OUT OF ANY BREACH OF THIS WARRANTY, INCLUDING WITHOUT LIMITATION, DAMAGE TO TAPES, RECORDS OR DISCS. ALL EXPRESS AND IMPLIED WARRANTIES, INCLUDING THE WARRANTIES OF MERCHANTABILITY, ARE LIMITED TO THE APPLICABLE WARRANTY PERIOD SET FORTH ABOVE. Some states do not allow the exclusion or limitation of incidental or consequential damages, or limitations on how long an implied warranty lasts, so the above exclusions or limitations may not apply to you.

This warranty gives you specific legal rights and you may also have other rights which vary from state to state.

If a problem with this product develops during or after the warranty period, you may contact your dealer or Servicenter. If the problem is not handled to your satisfaction, then write to the Consumer Affairs Division at the company address indicated above.